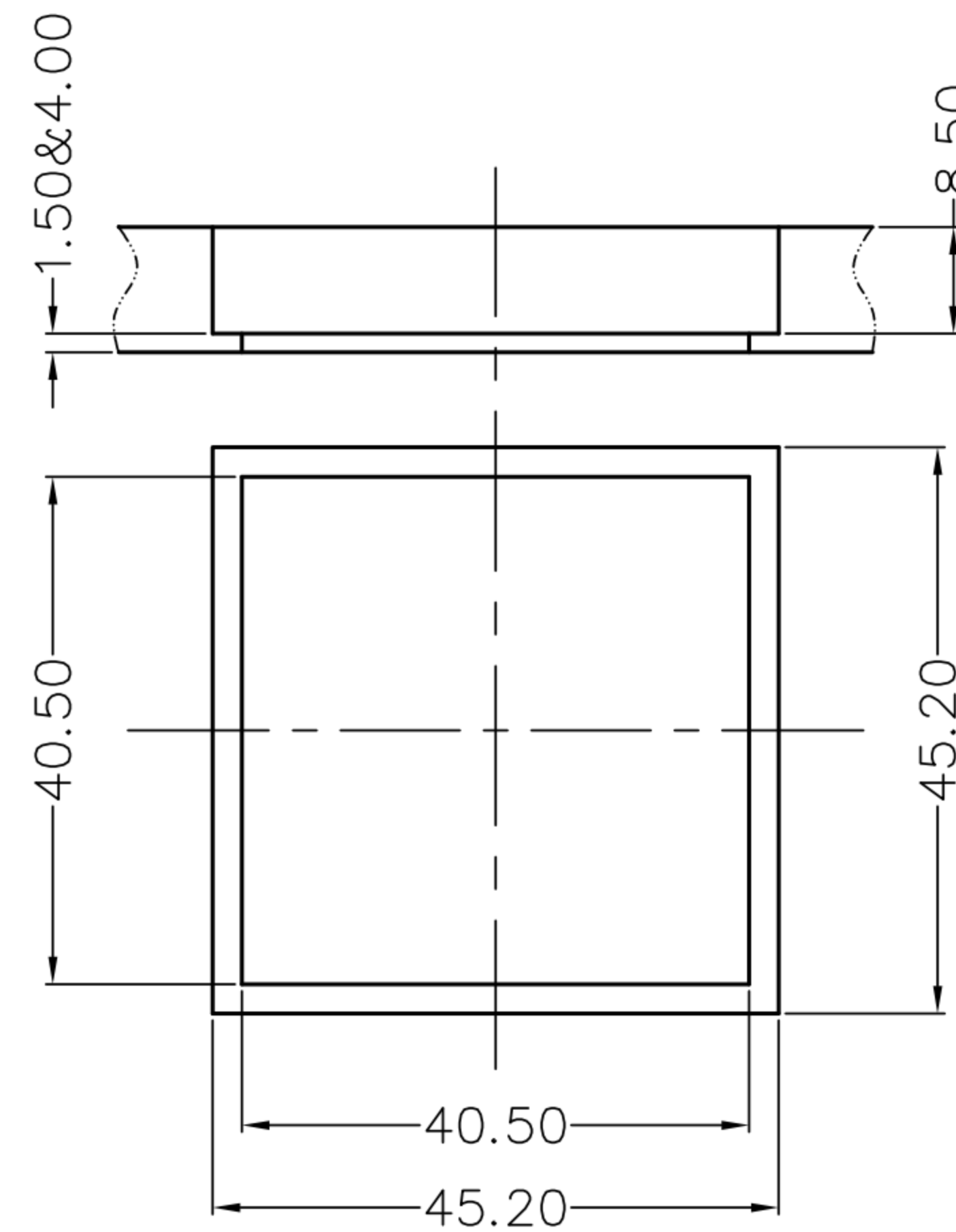
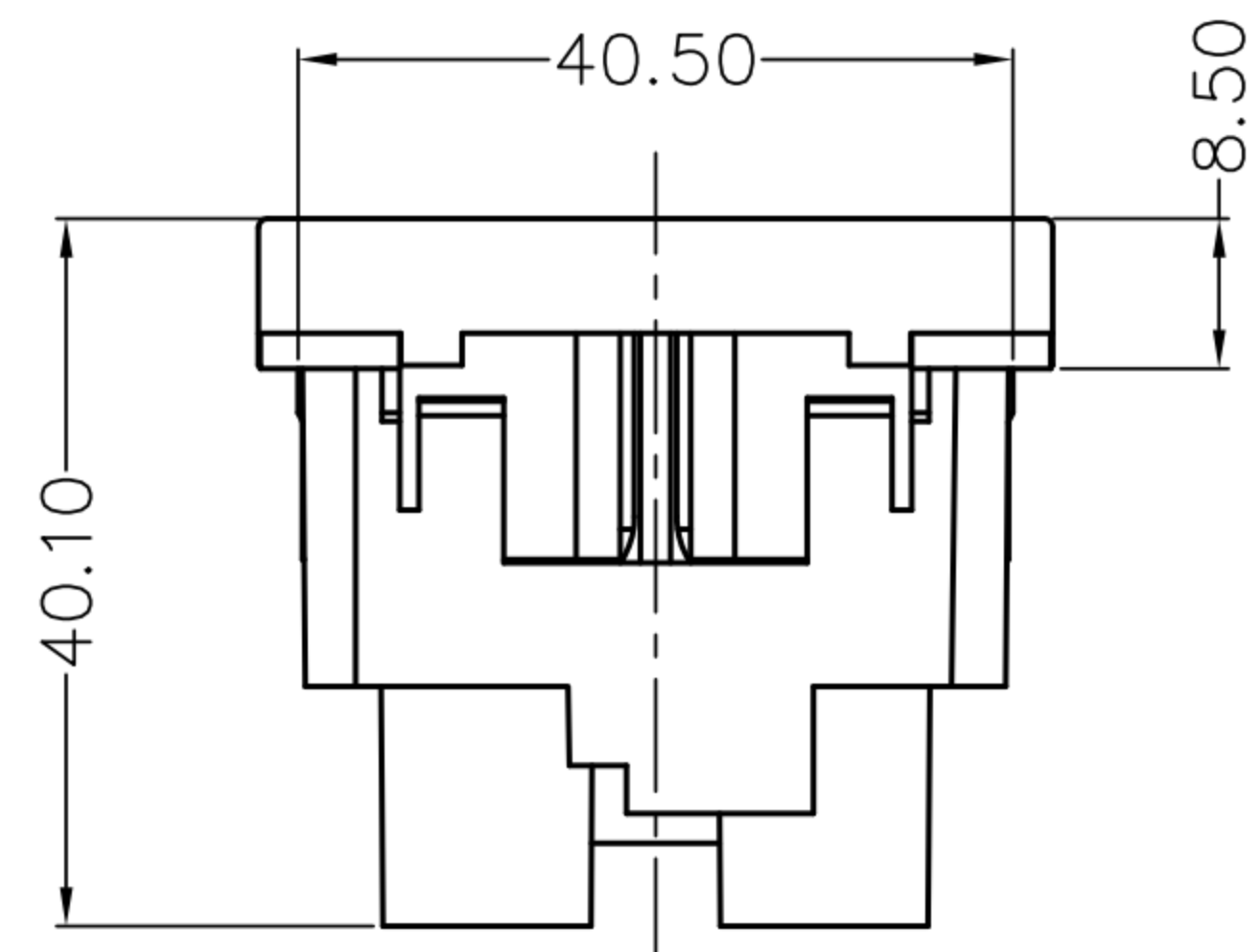


**SPECIFICATION**

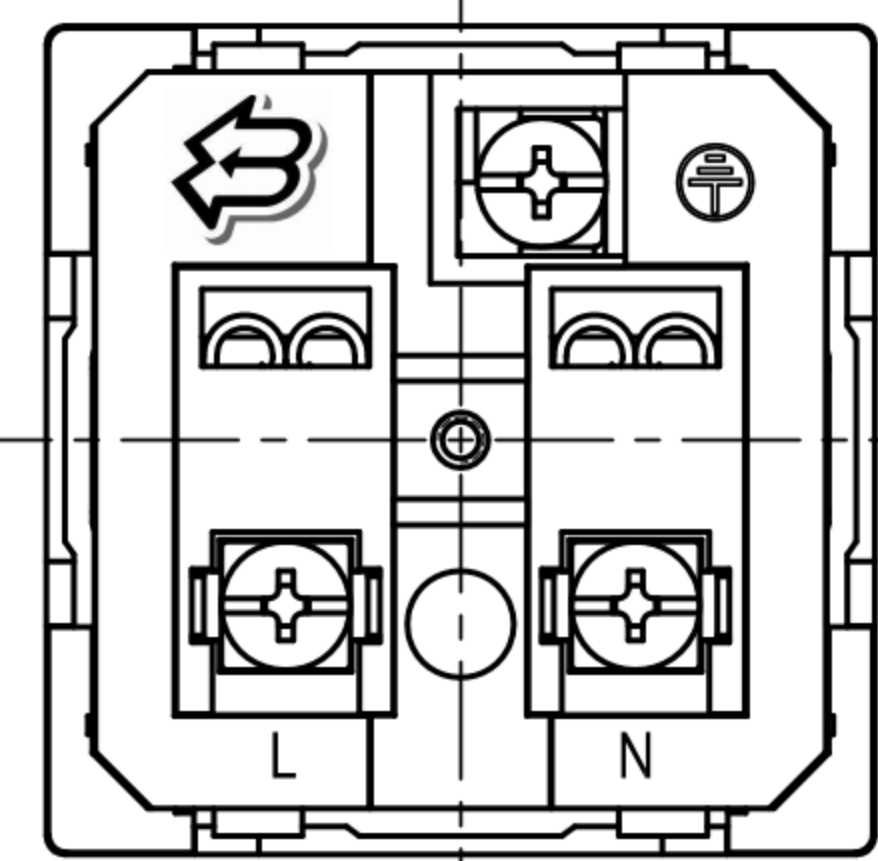
- A: MATERIAL:  
 1. HOUSING & HOLDER: PC(BLACK), UL 94V-0  
 2. COVER: PA66(BLACK), UL 94V-0  
 3. TERMINAL: COPPER ALLOY, NICKEL PLATED
- B: CHARACTERISTICS:  
 1. RATING: 16A 250V~ TUV,KC  
 2. INSULATION RESISTANCE: 100MΩ MIN, AT 500V DC  
 3. ELECTRIC STRENGTH: AC 2000V FOR ONE MINUTE
- C: APPROVALS:  
 TUV & KC



PANEL CUT-OUT

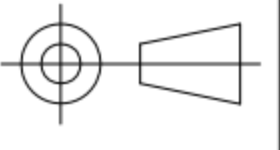
ORDERING INFORMATION:

PART NO.	DIM.X	PANEL THICKNESS
GD-BT-DE-1AC(1.5)	1.60mm	1.5 mm
GD-BT-DE-1AC(4.0)	4.10mm	4.0 mm



 **東莞市高迪電子有限公司**  
**DONG GUAN GAO DI ELECTRONICS CO., LTD**

TOLERANCE UNLESS OTHERWISE STATED:  
 Up to 5 ±0.2  
 Above 5 ~ 15 ±0.3  
 Above 15 ~ 30 ±0.4  
 Above 30 ~ 50 ±0.5  
 Angle ±0.3°

3RD. ANGEL'S  UNITS MM

DRAWN BY: DATE  
 Ming Ming Zou 10/31/13

CHECKED BY: DATE  
 Ning Ning Su 10/31/13

APPROVED BY: DATE  
 Jia Xiang 10/31/13

MAT'L	TITLE	SWITCH
FINISH	MODLE	AC POWER SOCKET
SCALE 1:1	DWG NO.	GD-BT-DE-1AC
SHEET NO. 1 of 1	PART NO.	

ITEM NO.	DESCRIPTION	DRAWN	DATE

SIZE A4  
 VER R